

TOGETHER WE TRAVEL!



solo connections



- European Highlights -



EUROPEAN HIGHLIGHTS

16 Days

Fully Hosted

07 – 22 May 2027

ITINERARY HIGHLIGHTS:

- Amsterdam & Canal Trip
- Cologne Walking Tour & Kolsch Tasting
- Rudesheim with Music Cabinet Museum
- Walking Tour of Wurzburg
- Nuremberg
- Walking Tour of Regensburg
- Melk Abbey
- Wine Tasting in Durnstein
- Vienna Discovery Tour
- Schonbrunn Palace
- City Tour of Bratislava
- Hungarian Folklore Show
- And so much More!

INCLUDES:

- **1 Night in a Private single room in Amsterdam in Luxury*** accommodation
- **14 nights in a Private single category C-1^** cruise cabin – *cabin upgrade available*
- **Meals** as per itinerary 14 Breakfasts, 13 Lunches, 14 Dinners
- 24 hour complimentary coffee, tea, hot chocolate and water
- **Sightseeing** Tours and Airport Transfers^ as per itinerary
- Complimentary state-of-the-art audio headsets for all excursions
- Complimentary use of onboard bicycles
- **Solo Connections Tour Host**
- English Speaking **Cruise Director**
- Port fees and cruise taxes
- Onboard Cruise Tipping/Gratuities

From \$19,428* per person

Cabin Upgrade options: B1 Cabin \$22,608 *pp / A1 Cabin \$24,108*pp

Terms and Conditions apply. Airfares NOT included. *Luxury accommodation is considered 4-5 star properties. ^Cabin upgrades available on request. **Tour Host departs from Brisbane.** Price is in Australian dollars and correct as at 18 March 2026. Significant currency fluctuations may require the tour to be repriced at later date. A non-refundable Tour Deposit of \$2,000 is required within 7 days of booking confirmation. Solo Connections reserves the right to amend all hotels, restaurants and tours for an equal substitute at any time. Airfares, beverages, additional meals, hotel mini bars, laundry, phone calls, any items of personal nature not included. Tours subject to availability. Further booking conditions apply, please check all prices, availability and other information with your travel agent at time of or before booking. Package cancellation fees apply. Denise Marie Falsay trading as Solo Connections. ATAS Accredited A11424. ABN 92 582 582 996



Day 1 – Friday, 07 May 2027
Arrive Amsterdam

D

On arrival into Amsterdam International Airport be welcomed by a representative who will assist with our group transfer to our overnight accommodation. We check into the hotel and have some time to relax before meeting for this evenings **Welcome Dinner**.

Accommodation – INK Hotel Amsterdam by MGallery - 4 star - or similar (1 Night)

Please do not book any flights prior to speaking with reservations. There will only be one group arrival transfer provided.

Day 2 – Saturday, 08 May 2027
Amsterdam

B-L-D

Enjoy breakfast this morning before we check out and take a walking city tour.

Our English-speaking local guide will take us to view some of the main sights - Dam Square, Van Gogh Museum, Royal Palace of Amsterdam and Rijksmuseum. At the conclusion of the tour we have lunch in a local restaurant before returning to the coach in time to be transferred to the river cruise ship.

Upon embarkation of the ship, we have time to settle into our cabins before this evening's, **Welcome Cocktail**, followed by a specially-prepared **Welcome Dinner**. A rousing performance by a traditional shanty choir completes the experience.

River Cruise Ship – Amadeus Mira- 5 star (14 Nights)

Day 3 – Sunday, 09 May 2027
Amsterdam & Utrecht

B-L-D

This morning, our journey begins with a delightful canal cruise along Amsterdam's iconic waterways, followed by an excursion to the serene countryside of the Waterland region. Founded as a small fishing village in the late 12th century, Amsterdam became one of the most important ports in the world during the Dutch Golden Age as a result of its innovative developments in trade.

Today, the city has one of the largest historic centers in Europe, with about 7,500 registered historic buildings. The street pattern is largely unchanged since the 19th century. The center consists of 90 islands, linked by 400 bridges. On the **city tour** through the Dutch metropolis, you will see the Royal Palace, numerous canals and the Museum Quarter. As there is no better way to see the city than cruising on the water, the tour will end by a **canal cruise** boat trip.

Walking grade: Level 3 - The excursion by bus is followed by a longer walk. You may need to climb several stairs.

Returning to the vessel in Utrecht just in time for lunch, we set sail to explore the scenic waters of the Netherlands. Freshen up and indulge in a delicious dinner this evening, as we continue our enchanting journey through the Dutch countryside.



Day 4 – Monday, 10 May 2027
Cologne

B-L-D

We rise to the vibrant cityscape of Cologne, Germany's fourth-largest city, where the iconic twin spires of the Cologne Cathedral stand tall amidst contemporary architecture. Here, the fusion of the modern and the historic creates a captivating urban landscape.

Embark on a **morning walking tour** through the city, immersing yourself in its rich history and cultural heritage. The cathedral city dates back over 2,000 years and is full of history, the traces of which can be seen everywhere in the Rhine region. During the walking tour, explore the area around the cathedral all the way to the old town. As we travel through the narrow, cobbled streets, and the lively squares such as the Alter Markt or the Heumarkt, we will get a feel for life in Cologne from yesterday and today. Since its completion in 1880, the **Cologne Cathedral** with its two 515ft high towers has been the city's landmark, as well as the most famous architectural monument and most frequently visited sight in Germany.

As the excursion concludes, we are invited to enjoy a glass of typical **Kölsch** (*beer*), which is the number one beer in Cologne and large parts of the Rhineland, before returning to the ship for lunch.

Walking grade: Level 4 - Moderate walking tour. You may need to climb some stairs.

Please note: The visit of the Cologne Cathedral depends on the opening hours, Holy Masses, etc.

This evening, as we sail towards Ruedesheim, take in the enchanting scenery from the comfort of our ship.

Day 5 – Tuesday, 11 May 2027
Ruedesheim

B-L-D

The day commences with excitement as we navigate through the legendary **Lorelei passage** in the mystique-filled **Upper Middle Rhine Valley**. As noon approaches, we arrive in **Rüdesheim**, a picturesque town celebrated for its winemaking heritage, nestled amidst the breathtaking Rhine Gorge, always a delight for travellers.

Embarking on a guided walking tour, we delve into the rich tapestry of the region's history, while also indulging in the captivating collection of musical instruments showcased at the **Music Cabinet Museum**.

The unique **Winzerexpress train** takes us from the dock of the ship to the "Siegfried Mechanical Music Cabinet" for a musical adventure with historical self-playing instruments.

We continue our guided tour with a walk through the picturesque town. Explore the heart of the old town of Rüdesheim - the Drosselgasse - where wine houses and garden taverns invite you to linger. Immerse yourself in the history of the city and visit the Eagle Tower, a part of the city wall, and the fortifications from the 15th century.

Walking grade: Level 4 – Moderate walking tour. You may need to climb some stairs.



Day 6 – Wednesday, 12 May 2027
Miltenberg & Wertheim

B-L-D

Following a serene morning aboard, we embark on an afternoon adventure to Miltenberg and Wertheim.

Our journey first takes us to **Wertheim**, where we wander through medieval alleys lined with half-timbered houses and visit the unique glass museum. Immerse yourself in the vibrant history and romance of Wertheim and explore the city with its medieval streets and numerous half-timbered houses. The Angel's Fountain and the collegiate church are especially worth seeing, as well as the local glass museum. During a tour of the museum we will learn interesting facts about glass and you can observe glassblowers at work.

Note: Visits to the glass museum are subject to availability.

We then make our way to Miltenberg, nestled between the Main River and a lush wooded hillside, boasting **Miltenberg Castle** and the renowned **Hotel "Zum Riesen,"** one of Germany's oldest inns. We enjoy a guided tour through the charming town where the historic market square, high, gabled, half-timbered houses, the old town hall and the towering Miltenberg Castle form the backdrop for this wonderful tour.

Walking grade: Level 2 - The excursion by bus is followed by a moderate walking tour. You may need to climb some stairs.

Returning to the ship, we have ample time to freshen up before indulging in another exquisitely crafted dinner.

Day 7 – Thursday, 13 May 2027
Würzburg

B-L-D

Today, our journey brings us to **Würzburg**, a Bavarian city renowned for its opulent architecture, nestled in the heart of the Franconian wine region.

In the morning, we immerse ourselves in the town's captivating beauty, including a visit to the Residenz, a Baroque palace hailed as a masterpiece of its time. Experience many beautiful sights in the old town of Würzburg, such as the **marketplace**, the **Maria Chapel** and the **old main bridge**, with its unique panorama of the **Marienber Fortress** and the surrounding vineyards. Afterwards, we visit the **Würzburg Residence**, which is one of the most important Baroque castles and a masterpiece of the southern German Baroque style.

It was built at the beginning of the 18th century by Balthasar Neumann. The magnificent staircase with frescos by the Venetian Tiepolo and the Imperial Hall are particularly impressive. Thereafter, we will join a guided tour of the ancient wine cellar of a local vineyard. At the end of this tour we have the chance to sample a glass of wine.

Walking grade: Level 4 - Moderate walking tour. You may need to climb some stairs.

This afternoon, unwind aboard the ship as talented chef's work their culinary wonders, treating you to a sumptuous dinner while we continue our scenic cruise down the river towards Bamberg.



Day 8 – Friday, 14 May 2027
Bamberg

B-L-D

In the morning, we leisurely cruise along the picturesque Main River, offering you the perfect opportunity to unwind on deck and soak in the breathtaking scenery.

Following lunch, we embark on a guided walking tour of **Bamberg**, an imperial city recognized as a UNESCO World Cultural Heritage Site. Retaining its medieval layout with three distinct settlement areas, Renowned as one of Germany's most charming towns, Bamberg is also celebrated for its distinctive, smoky-flavoured beer. Additionally, it serves as the starting point for sailing the Rhine-Main-Danube canal.

The coach will take us into the center of Bamberg, which is affectionately known as the “Frankish Rome”. The walking tour will enable us to engage in the magic and history of this town. With its historic old quarter, its churches and monasteries, bridges, narrow streets and squares, its half-timbered houses and baroque facades, it has been declared a World Cultural Heritage Site by UNESCO. During the walk, we'll see magnificent sights such as the imperial cathedral, the old imperial residence, the new residence palace and rose garden, the old town hall and the former fishing village that is now Bamberg's “Little Venice” area.

Walking grade: Level 4 - Moderate walking tour. You may need to climb some stairs.

Upon our return to the ship, we begin our journey towards Nuremberg. Tonight, you're invited to join a presentation discussing the canal, which facilitates seamless navigation between the North Sea and the Black Sea.

Day 9 – Saturday, 15 May 2027
Nuremberg

B-L-D

Today, we set our sights on the former imperial city of **Nuremberg**, largest city in Franconia, steeped in history and brimming with fascinating sights to explore. After a coach ride from the vessel, the city walking tour winds its way through the major sites and highlights. A walking tour leads us to the major sites and highlights of the city, from its medieval beginnings to the present.

Once a free imperial city of economic influence, **Nuremberg is the second largest city in Bavaria**. During the reconstruction work following the devastation of the Second World War, the style of the old town was maintained. Ringed walls, towers and the castle provide a vivid image of the town as it may have looked in the Middle Ages.

Our tour includes a visit to a **Gingerbread Specialties** shop for a taste of this famous treat **Lebkuchen** which was invented by monks in the 13th century in Franconia, Germany and recorded as early as 1395 in Nuremberg. Today, Nuremberg is the most famous exporter of the product know as Nuremberg Lebkuchen – gingerbread decorated with almonds.

Walking grade: Level 5 - Considerable walk with longer distances. This may include uneven surfaces and some stairs.

Returning to the ship, we set course for Regensburg, cruising through the passage of the Continental Divide. Tonight, we're treated to the mesmerizing sights along the waterways as we continue our journey downstream.



Day 10 – Sunday, 16 May 2027
Regensburg

B-L-D

This morning, we arrive in **Regensburg**, renowned as one of Germany's best-preserved medieval marvels. Among its architectural gems are churches, monasteries, the town hall, and Europe's venerable Danube Bridge, standing proudly since the 12th century.

Embarking on a guided **walking tour** through the city we discover one of the best-preserved medieval cities in Germany. Among its architectural gems are churches, monasteries, the town hall and one of Europe's oldest bridges that has spanned the Danube since the 12th century.

At the end of the tour, we reach one of Regensburg's typical small breweries. Enjoy a guided tour of the brewery and a tasting of the local beer, before we return to the ship.

Walking grade: Level 5 - Considerable walk with longer distances. This may include uneven surfaces and some stairs.

We spend the afternoon cruising the Danube's scenic waterways and then Bavarian delights await us this evening, complete with a special themed menu and festive celebrations.

Day 11 – Monday, 17 May 2027
Passau

B-L-D

In Passau, not only do three rivers converge, but also the culinary traditions of past eras.

On a delightful tour through the historic centre, we'll savor the flavours of the city – from Bavarian delicacies to Austrian and Bohemian influences. As we wander through winding alleys and admire the baroque squares, the unique charm of this Three Rivers City unfolds on the palate as well.

On our guided culinary tour through Passau, the tour guide leads us on a two-hour exploration of regional delights. Savour four handpicked specialties, including two exquisite beverages, creamy "Obatzda", and a fine praline. From traditional Bavarian cuisine to local delicacies, from sweet indulgences to hearty treats – all accompanied by the unmistakable scent of Bavarian tavern culture. A feast for the senses and an unforgettable taste of Passau!

Walking grade: Level 5 - Considerable walk with longer distances. This may include uneven surfaces and some stairs.

As evening falls, indulge in a delightful dinner aboard the ship as we continue our journey towards the scenic destination of Emmersdorf.



Day 12 – Tuesday, 18 May 2027
Emmersdorf, Durnstein & Vienna

B-L-D

We awaken today in **Emmersdorf**, in the heart of the UNESCO-protected landscape, of the **Wachau Valley**.

This morning we visit **Melk Abbey**, an Austrian Benedictine abbey and one of the world's most famous monastic sites. The impressive Baroque abbey was built between 1702 and 1736 and is the biggest monastery complex of the Austrian baroque period. The abbey's church, with frescos by Johann Michael Rottmayr, and the impressive library with countless medieval manuscripts and frescos by Paul Troger are particularly noteworthy. A guided tour takes us through the abbot's chambers, along the emperor's walk, through the marble hall, the balconies and the library.

Walking grade: Level 3 - The excursion by bus is followed by a longer walk. You may need to climb several stairs.

After lunch onboard, the ship will dock in the village of **Dürnstein**, known as the "Pearl of the Wachau".

This peaceful village offers the unique combination of breathtaking scenery, traditional architecture and a surprising array of local culinary delicacies. As we walk past the town hall and castle ruins, our guide will make stops for us to savour treats made with the local speciality – Apricots. Indulge your taste buds with a sip of an Apricot juice, brandy or liquor, before continuing your walk to the charming 700-year old Schloss Dürnstein. Standing just outside the castle walls, you have a must not miss photo opportunity of the towering cliffs and vistas along the mighty Danube. We make a stop to explore the famous Abbey and afterwards, are invited for a glass of wine to toast the end of our Dürnstein exploration.

Walking grade: Level 5: Considerable walk with longer distances. This may include uneven surfaces and some stairs.

Back on board, the ship arrives into and remains overnight in Vienna.

Day 13 – Wednesday, 19 May 2027
Vienna

B-L-D

This morning **Imperial Vienna** beckons with its grandeur, though uncovering all of Vienna's treasures could take days, we'll ensure you experience its key highlights and most memorable sights during our visit. We embark on a drive along the famed **Ringstrasse**, and marvel at the magnificent **Vienna State Opera House**, the **Museum Quarter** and more.

Following this panoramic drive, we are taken on a guided walking tour through the city centre learning of Vienna's history and culture. Begin at the renowned Hofburg Imperial Palace, meander through the bustling Kohl market, and conclude your exploration at the iconic St. Stephen's Cathedral.

Walking grade: Level 2 - The excursion by bus is followed by a moderate walking tour. You may need to climb some stairs.



In the afternoon we travel by coach to one of the most beautiful sights of Vienna, **Schönbrunn Palace**. As one of the most important cultural heritage sites in Austria, Schönbrunn Palace and its gardens were declared a UNESCO World Cultural Heritage site. The reign of Maria Theresia signified the most splendid era for Schönbrunn.

The castle and park were the centre of court and political life. Under the personal guidance of the Empress, it was remodelled and expanded to become a royal residence; a complex with a total of 1,441 rooms and halls was created. Visit many of the ceremonial rooms and then have the opportunity to walk around the beautifully designed gardens of the palace.

Walking grade: Level 2 - The excursion by bus is followed by a moderate walking tour. You may need to climb some stairs.

After a full day of exploration, enjoy a multicourse dinner on board after which, late in the evening, the vessel departs to **Bratislava**.

Day 14 – Thursday, 20 May 2027
Bratislava

B-L-D

Upon our arrival in the capital city of Bratislava, we'll embark on a captivating driving and walking tour.

Get to know the capital of the young Slovakian Republic first with a driving tour that passes **St. Martin's Cathedral** and the **Grassalkovich Palace** and continues to the castle hill above the old town, where we will have a stunning, panoramic view of the city and surrounding areas.

Afterwards a **guided walking tour** leads us through the old town. Take a leisurely stroll from **Michael's Gate** through the historic city centre, admiring sights such as the **Primatial Palace** and St. Martin's Cathedral, a former coronation cathedral for Hungarian kings, as well as the **Academia Istropolitana**, the oldest university of the city, dating back to the 15th century.

See the main square with the old **City Hall**, the **Opera House** and **Maximilian Fountain**. From the Main Square we continue to a cozy out of the way place to enjoy the famous **Pressburger rolls** with nut and poppy seed filling. We will end our walk at the historical Opera House in front of glorious **Ganymede's Fountain**. You are then free to explore further or walk the short distance back to the ship.

Walking grade: Level 3 - The excursion by bus is followed by a longer walk. You may need to climb several stairs.

As evening descends, we gather for the much-anticipated **Captain's Gala Dinner**, a delightful affair set against the backdrop of our journey to Budapest.



Day 15 – Friday, 21 May 2027
Budapest

B-L-D

This morning, we embark on a **city tour** to immerse ourselves in Budapest's history and culture. Budapest, the "Queen of the Danube", is one of the most beautiful cities in the world and has managed to retain a charm of its own with the help of renovations in recent years. The Danube flows through the heart of the city, dividing it into two parts: Buda and Pest.

The tour first takes us through **Pest**, past the **Great Market Hall** with its outstanding gourmet shops and stalls. We will see splendid Baroque buildings such as the Hungarian State Opera in Neo-Renaissance style and the incomparable parliament building, which was finished in 1904 and has been an emblem of the city ever since then. There's an opportunity for a photo stop at the Heroes' Square, famous for its monuments to many Hungarian kings.

We continue across one of the seven bridges into **Buda** and go up to Castle Hill, where we will visit **St. Matthew's Church** and the famous Fisherman's Bastion (*provided that it is open to the public*). Enjoy the unforgettable view over the city before returning to the vessel.

Walking grade: Level 2: The excursion by bus is followed by a moderate walking tour. You may need to climb some stairs.

As night falls, indulge in the atmosphere of Budapest with a Hungarian folklore show and an evening cruise through the "Paris of the East" aboard our Amadeus Vessel. A perfect end to our cruise.

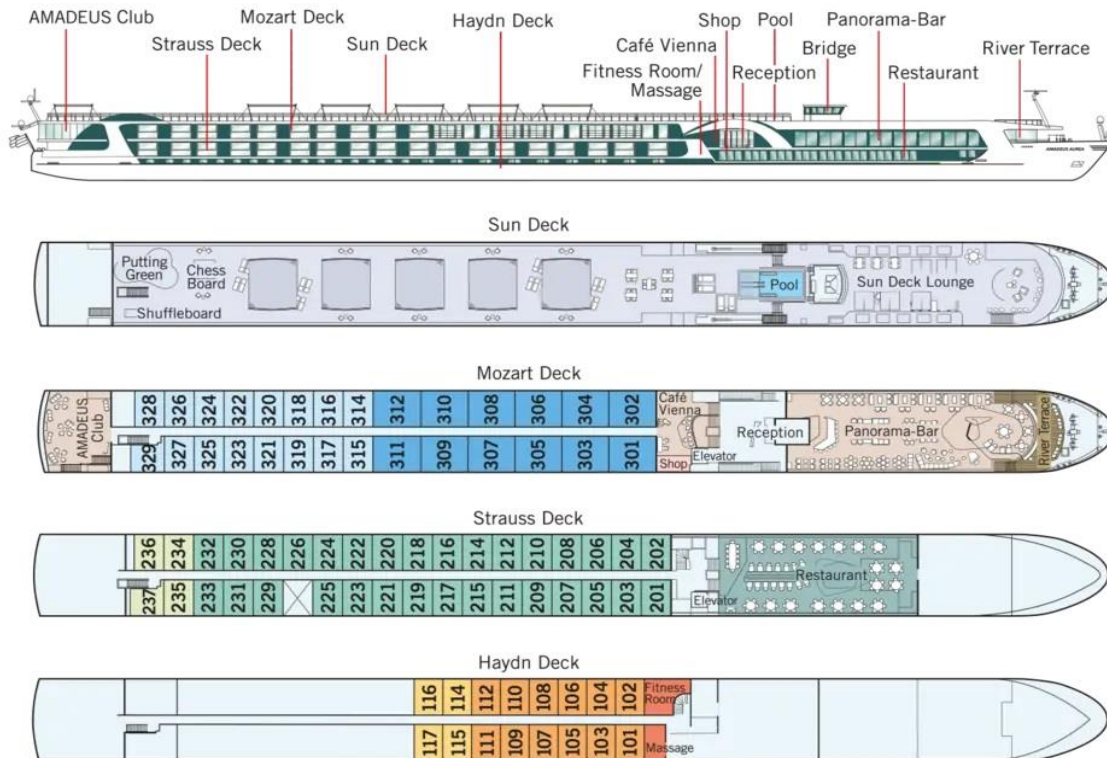
Day 16 - Saturday, 22 May 2027
Depart Budapest

B

This morning we are bid farewell after breakfast and those returning to Australia will board our coach into the city for some free time before being transferred to the Budapest International Airport to begin our journey back with many new memories and friends.

Please do not book any flights prior to speaking with reservations There will only be one group departure transfer provided.

Amadeus Mira – Deck Plan



Cabin Category (Descriptions on following page)

- Stateroom A-1 \$24,108pp
- Stateroom B-1 \$22,608pp
- Stateroom C-1 \$19,428pp

The **AMADEUS Mira** is the latest gem of the Lüftner fleet and will sail the Rhine, Main, and Danube starting in the 2027 season.

Like her sister ship, the AMADEUS Aurea, she accommodates 158 passengers, including 12 spacious suites with balconies and 67 bright outside cabins with panoramic windows. Sustainability is a top priority on the Mira: a modern hybrid-electric propulsion system, an efficient control and positioning system, solar panels, a heat recovery system, and specially insulated windows ensure maximum comfort with minimal environmental impact.



A-1 Cabin (17,5m²) with drop-down panoramic window:



Please note image is an artist impression, décor may change once completed

These staterooms, located on the **Mozart Deck**, feature the AMADEUS Signature Bed, a drop-down panoramic window for uninterrupted river views, a spacious bathroom with a walk-in shower and premium Rituals® bathing products, walk-in wardrobe, flat-screen TV, individual climate control, well-stocked minibar, in-room safe, hair dryer, and direct dial telephone, ensuring a comfortable and refined travel experience.

B-1 Cabin (17,5m²) with drop-down panoramic window:



Please note image is an artist impression, décor may change once completed

These staterooms, located on the **Strauss Deck**, feature the AMADEUS Signature Bed, a drop-down panoramic window for uninterrupted river views, a spacious bathroom with a walk-in shower and premium Rituals® bathing products, walk-in wardrobe, flat-screen TV, individual climate control, well-stocked minibar, in-room safe, hair dryer, and direct dial telephone, ensuring a comfortable and refined travel experience.

C-1 Cabin (16m²) with panoramic window:



Please note image is an artist impression, décor may change once completed

Designed with both style and practicality in mind, the **Haydn Deck** cabins offer a peaceful and well-equipped space for your journey. Each cabin features a spacious bathroom with a walk-in shower, luxurious Rituals bath products, and a hair dryer, along with a fixed panoramic window that fills the space with natural light. Thoughtful touches like a comfortable bed, generously sized wardrobe, secure in-room safe, flat-screen TV, individual climate control, and direct dial telephone ensure a restful and well-equipped stay.